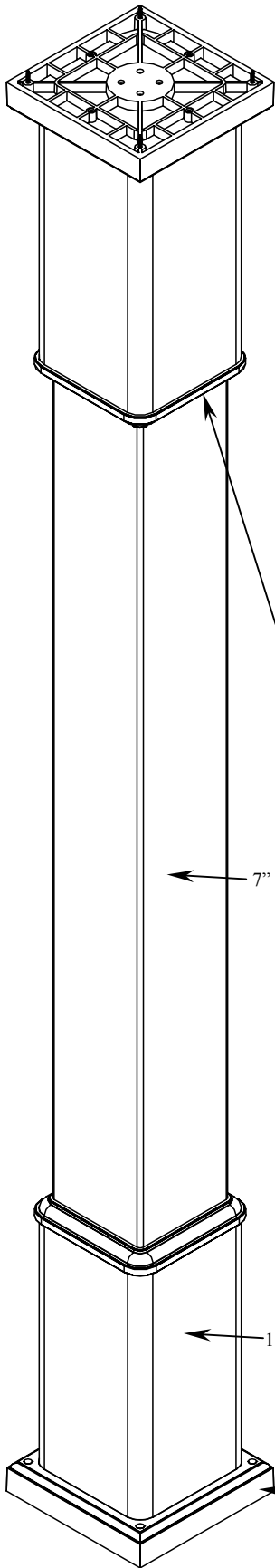


7" Square Porch Column Installation Instructions

- 1) Loading:
 - a) For non-load bearing applications column may be used without internal support.
 - b) Up to 5000 lbs use the aluminum 104" tube (shown & purchased separately)
 - c) Over 5000 lbs use 6 x 6 structural lumber
- 2) Dimensions – Measure Opening:
 - a) If using aluminum support tube (shown) cut it 3/4" shorter than opening.
 - b) If using structural lumber cut it 2" shorter than opening.
 - c) Cut vinyl column 2" shorter than opening.
- 3) Installation: (hardware not included)
 - a) Assemble trim collar to sleeve with 1/2" screws through 2 tabs on skirt and into sleeve. (Fig. 1)
 - b) Assemble sleeves to column with 1/2" screws at 2 places. Make sure to attach 1" off center of column, as it will interfere with mounting plate attachment. (Fig. 2)
 - c) Attach mounting plate to one end of column with 4 screws. (Fig. 3)
 - d) Slide support tube or structural lumber through column into base. If using lumber, nail into place through the bottom of the mounting plate.
 - e) Attach remaining mounting plate to column as in step c.
 - f) Set assembly in place. Attach mounting plates to porch or ceiling with non-corrosive screws, 1 screw per corner. (Fig. 3)
 - g) Cover holes with cap plugs, gluing in place. (Fig. 3)



Trim Collar

7" Column

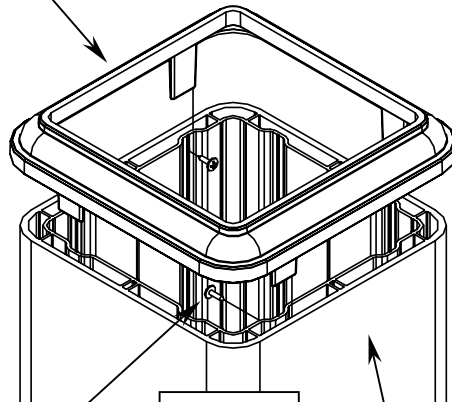


Fig. 1

1/2" Screws

18" Sleeve

7" Column

18" Sleeve

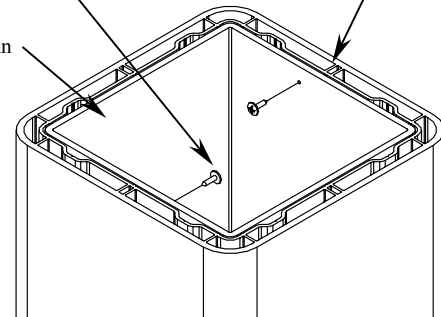
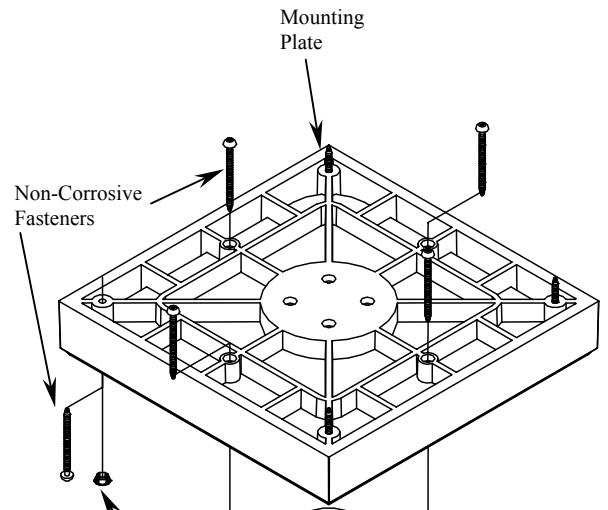


Fig. 2

Mounting Plate



Non-Corrosive Fasteners

Mounting Plate

Cap Plug

Aluminum Support Tube Shown (Optional)

Fig. 3



Royal Crown Limited
 PO Box 360
 Milford, IN 46542-0360
 Phone 800-365-3625
 Fax 574-658-3147

Care and Cleaning —Ordinary dirt and mud usually washes off with a hose. At times it may be necessary to use a non-abrasive household cleaner to remove residue and then rinse with a hose.

4/2/04

1-IN008