

Decorative Porch Column from Royal Crown Limited Installation Instructions

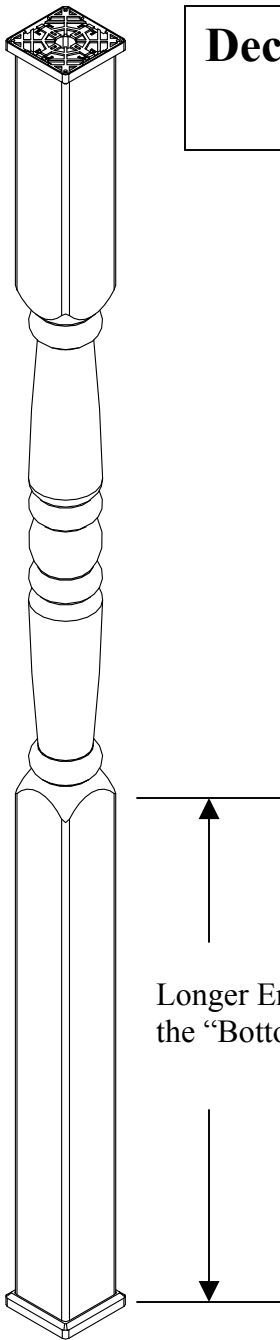
Installation Instructions

Step 1) Measure the height of your opening. The post and aluminum support tube will need to be 13/32" shorter than the opening to allow for the mounting plates. Make sure that the porch column and support tube are cut the same length and that the cuts are square! Always double-check your length requirements before cutting!

Step 2) The bottom end is long enough to allow for 42" railing. You may cut 6" off this end for a 36" railing. Then, shorten the remainder from the top if necessary. If using a Gingerbread Spindle system on top section plan ahead before cutting the column! (See Note)

Step 3) Slide post skirts over the ends of the porch column. Attach the porch column to the mounting plates as shown. (Screws not provided)

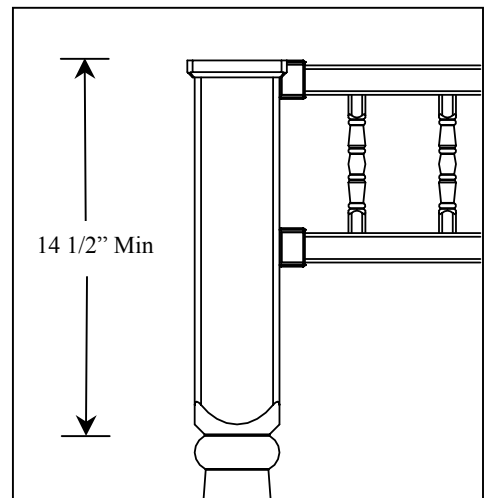
Step 4) Install porch columns by securing the mounting plates to the deck surface and roof structure. Use non-corrosive fasteners to secure the mounting plates. After attaching the mounting plates, slide post skirts over the ends of the porch column and into place.



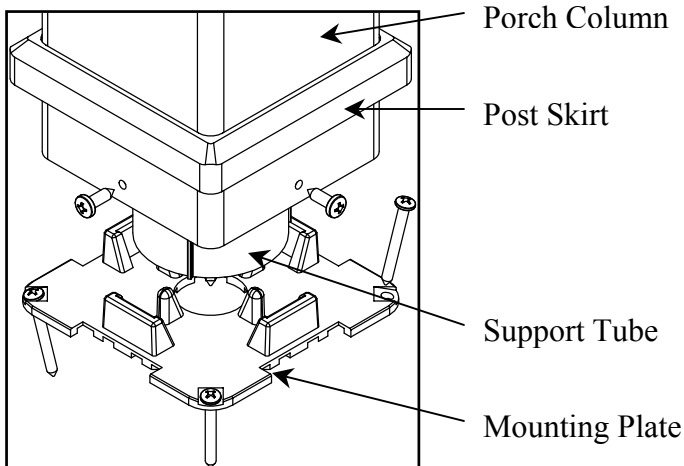
Longer End is the "Bottom"

Mounting Plate Attachment

Note: Leave adequate length on the upper portion of the porch column if using "Gingerbread Spindles" or scrollwork. (Refer to Gingerbread Railing Instruction sheet)



Gingerbread Attachment



Royal Crown Limited
PO Box 360
Milford, IN 46542-0360
Phone 800-365-3625
Fax 574-658-3147
1/29/2003